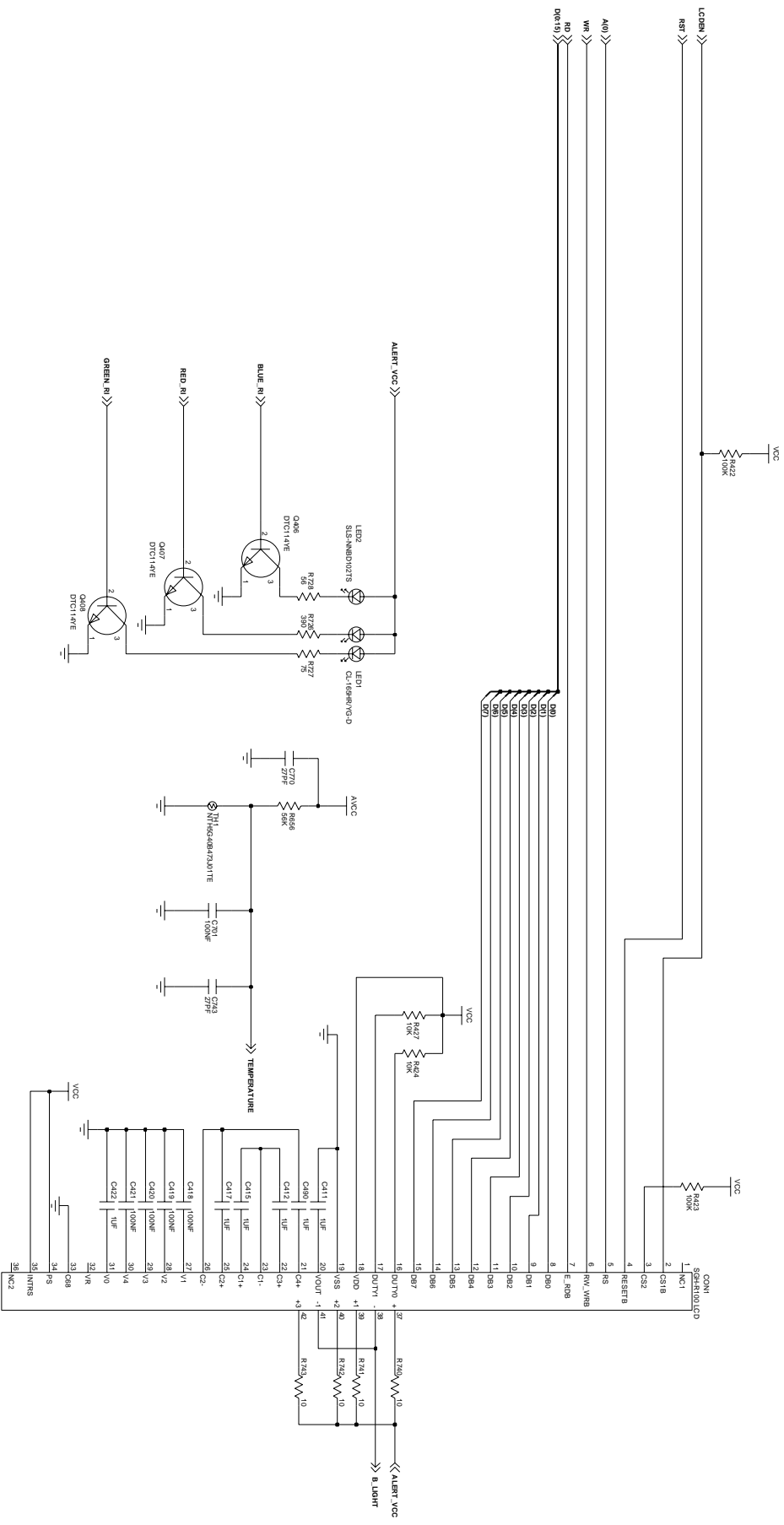
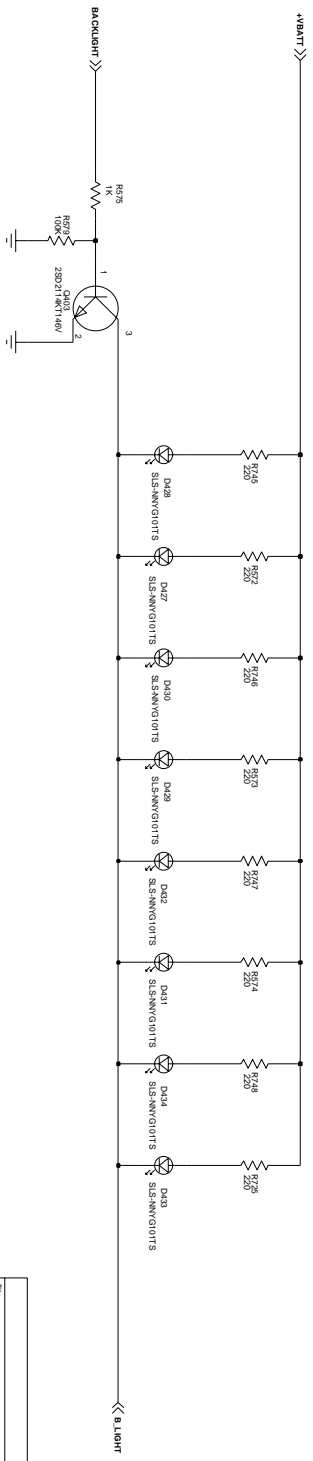
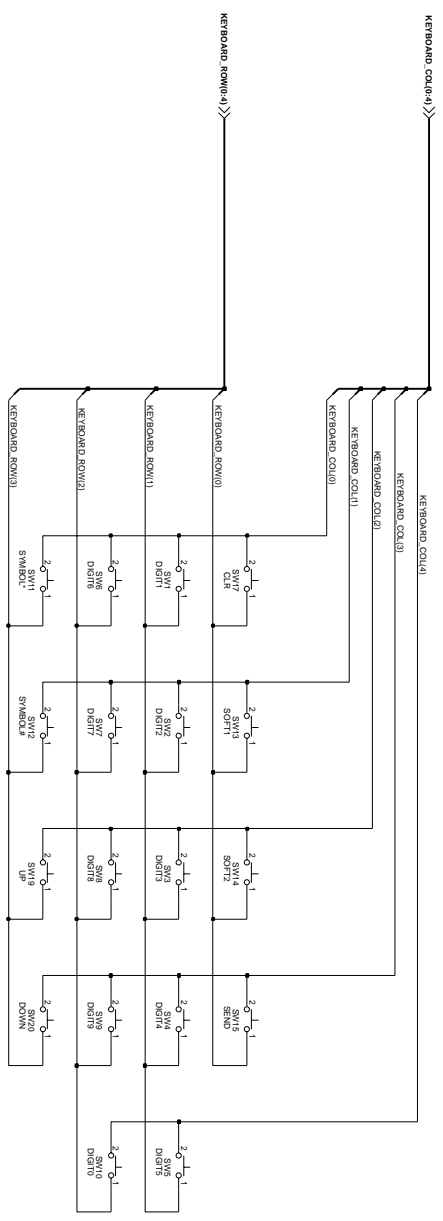
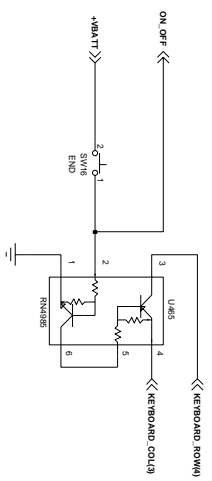


Title		POWER Management Schematic	
Size	AS	Document Number	SAMSUNG/R2108.B/PSU
Date	Monday, Sep. 17, 2001	Sheet	1 of 11
Rev	4.2.2	Rev	4.2.2

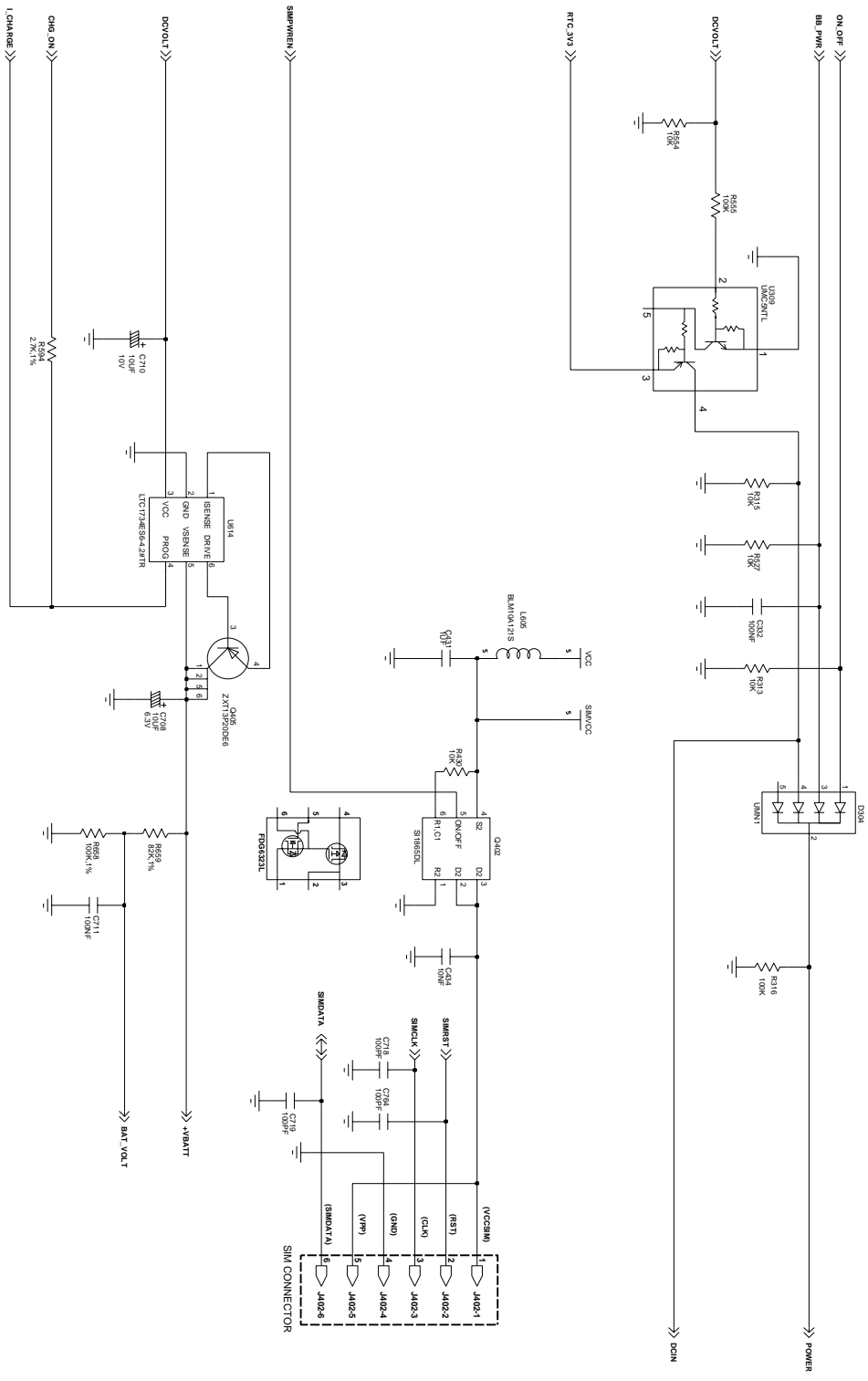


Title		LCD Schematic	
Size	AS	Document Number	SAMSUNG/R210B/B/LCD
Date	Monday, Sep. 17, 2001	Sheet	2 of 11
Rev		Rev 4.2.2	



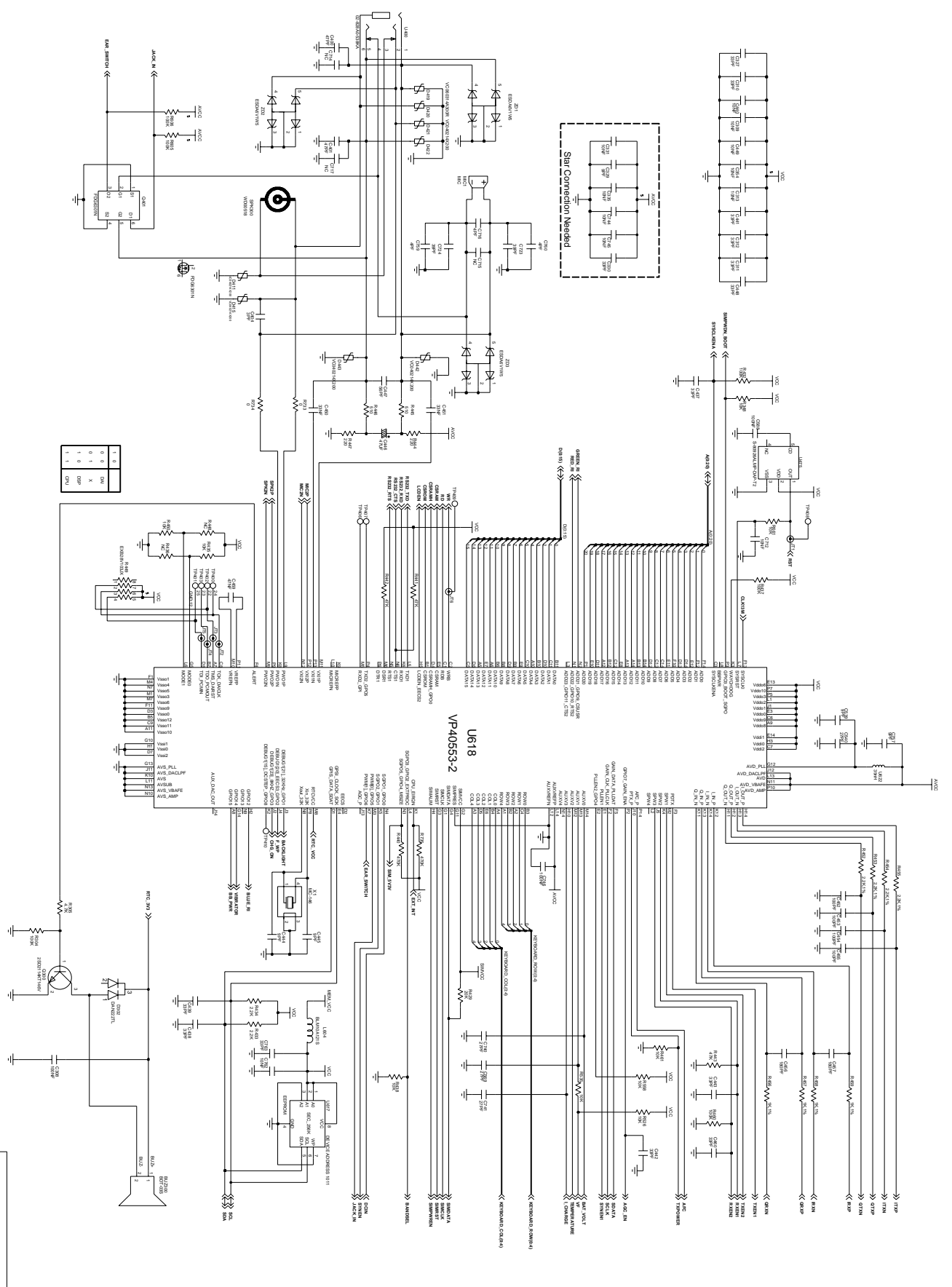
Type		Title	
Sheet	Document Number	Rev	Rev
A3	SAMSUNG/R210B/B/LCD	4.2.2	1
Date:	Monday, Sep. 17, 2001	Sheet	3 of 11

KEY Schematic

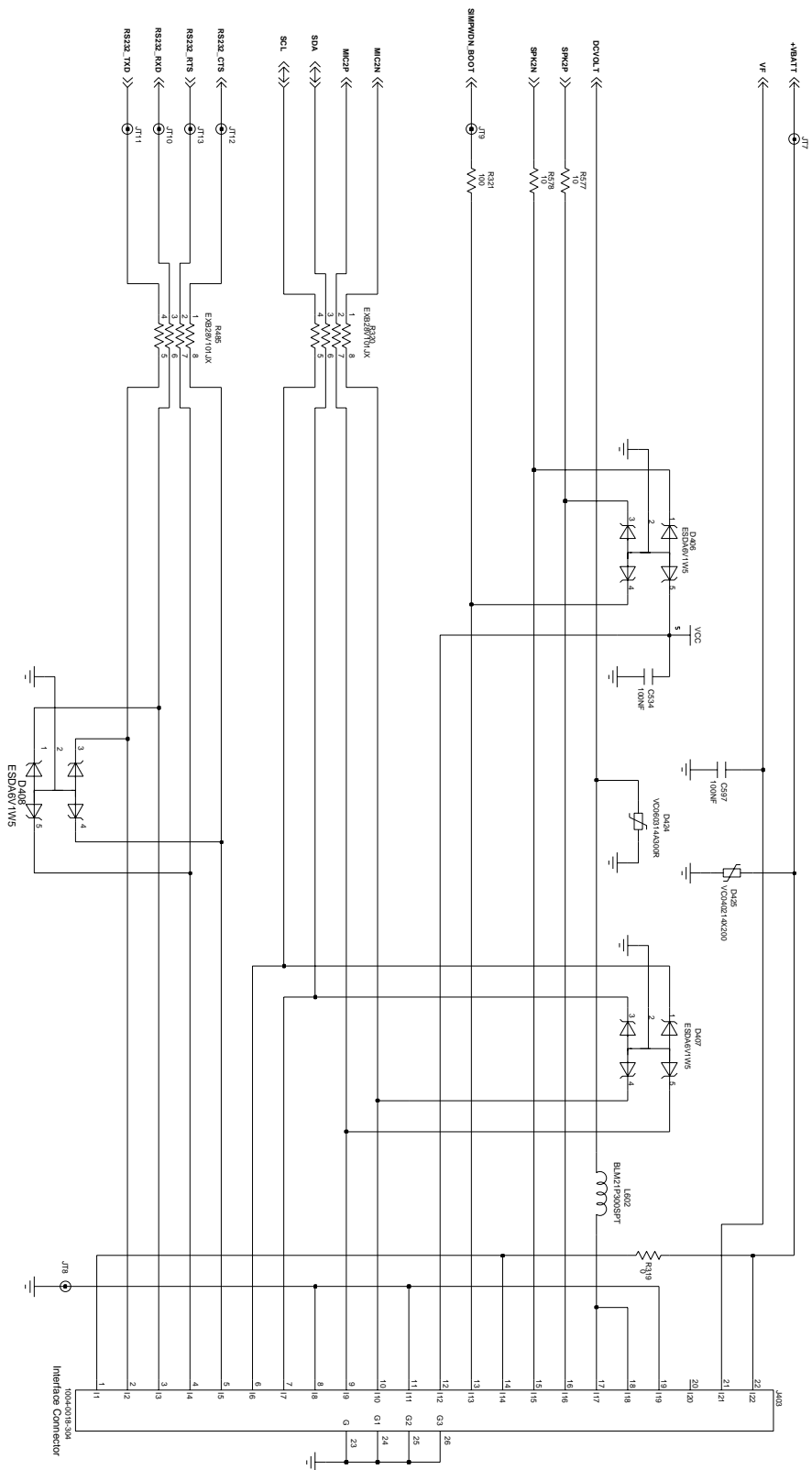


SIM and Charger Schematic

Size	AS	Document Number	SAMSUNGRC210IB/CHARGER	Rev	4.2.2
Date:	Monday, Sep. 17, 2001	Sheet	4 of 11		

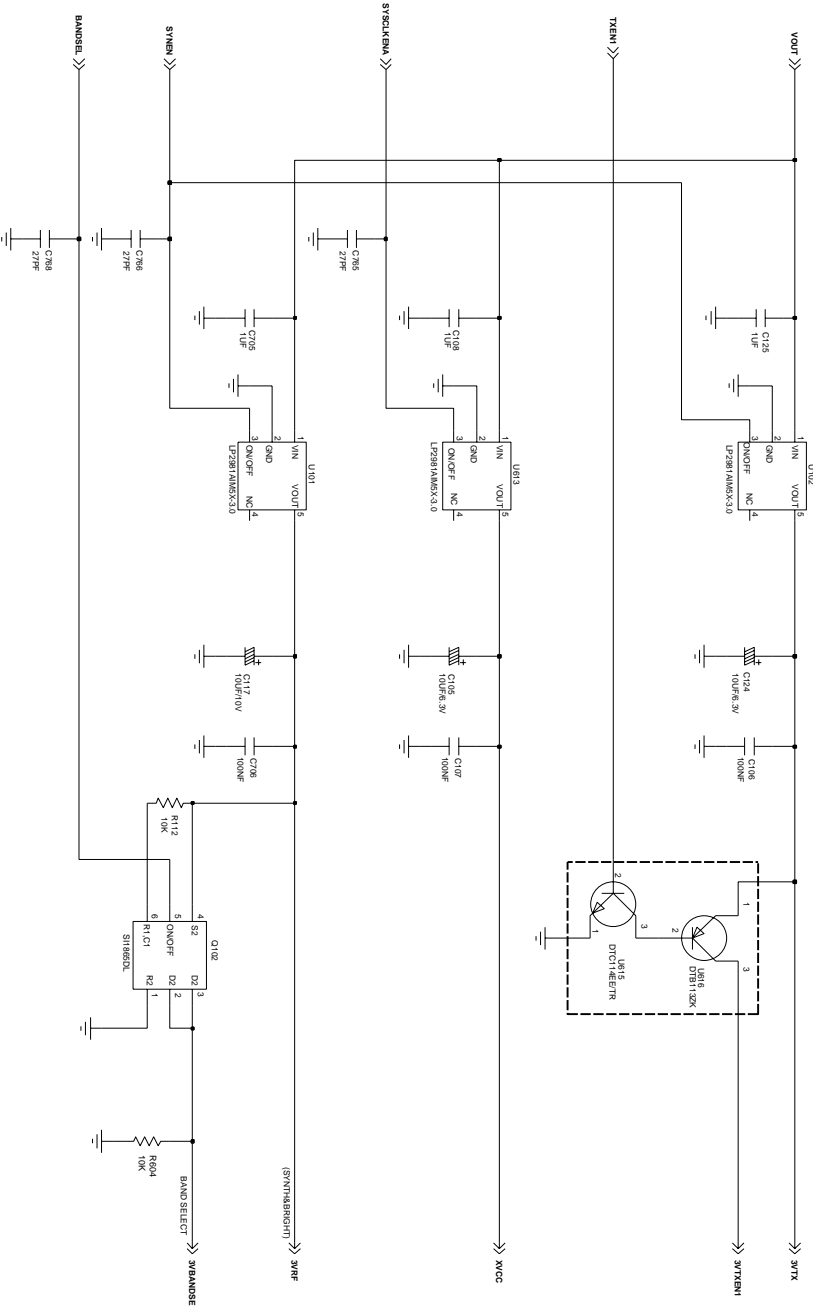


1	3	DA
0	3	DA
0	1	X
1	0	GP
1	1	GP

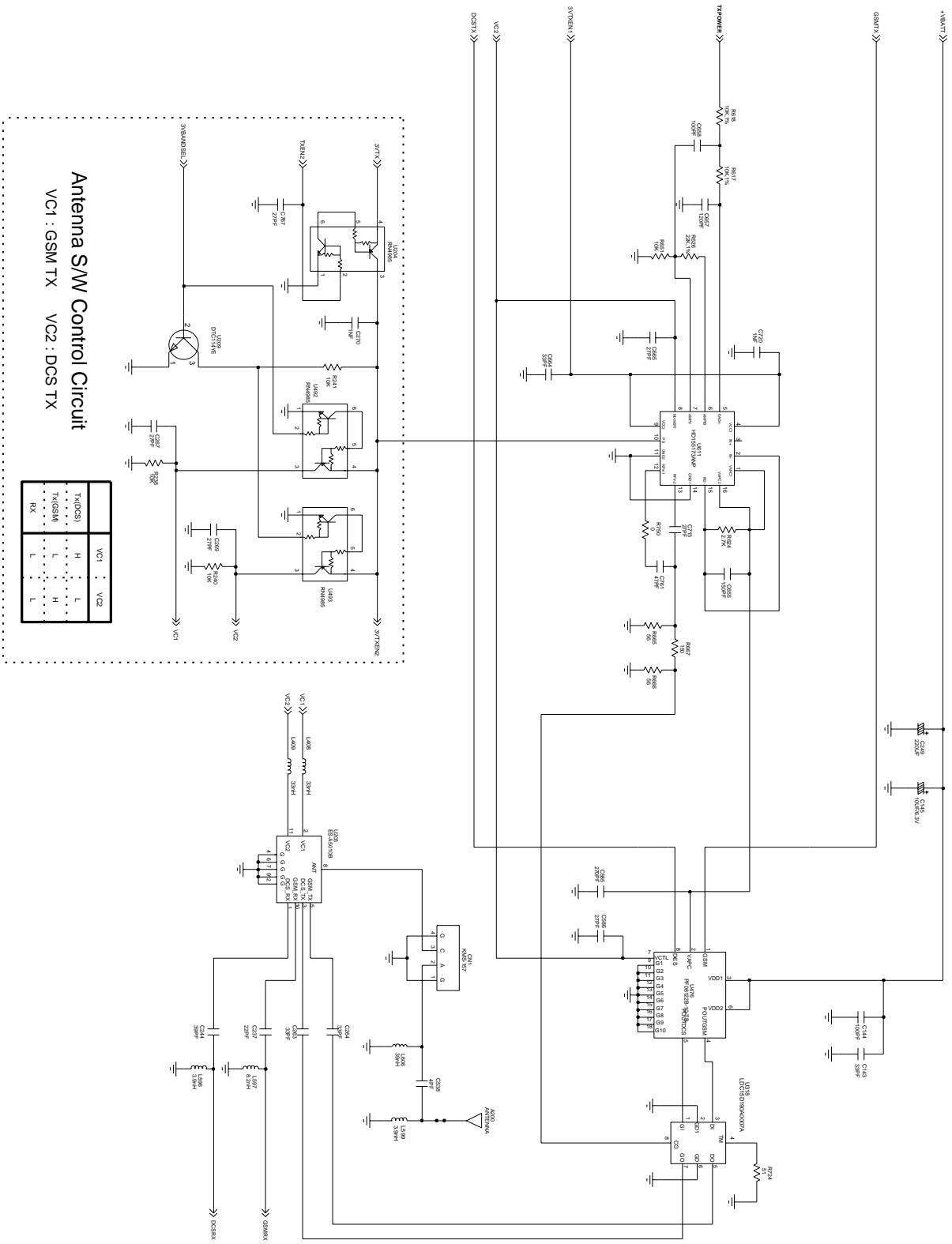


Interface Connector Schematic

Title		Sheet	
Interface Connector Schematic		A3	
Drawing Number		SAMSUNG/R21013/BI/Interface Connector	
Date		Monday, Sep. 17, 2001	
Sheet		7 of 11	
Rev		Rev. 4.2.2	



Title		Rev	
Radio PSU Schematic		Rev 4.2.20	
Sheet	8 of 11	Doc No	SAHSJUNGR2101RFRadio Power Supply
Date	Monday, Sep. 17, 2001	Sheet	8 of 11



Antenna S/W Control Circuit
 VCI1 : GSM TX VCI2 : DCS TX